

100 Square Foot Cabin



Ukkei

Ukkei means home.

cabin 100

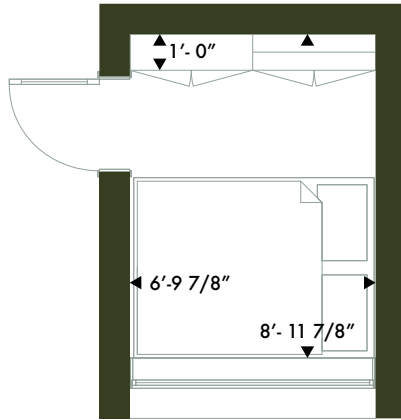


ukkei means home

ukkei.ca

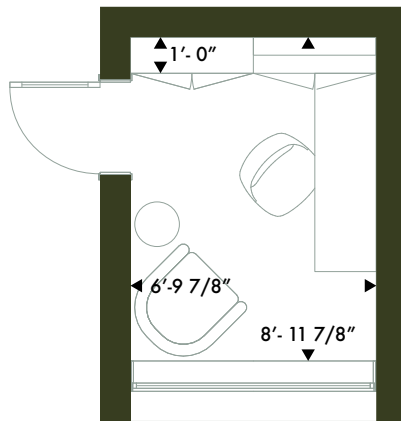
Ukkei is VFA Architecture + Design and Hummingbird Hill Homes. Combined, we have over 40 years of experience designing and building homes across the GTA and Ontario. Ukkei isn't just the home reimagined—it's also experience and expertise.

Our 100 square foot cabin is a sustainable, compact, and highly versatile unit designed for permit-free installation. Like all Ukkei, we assemble most of your cabin off-site in a facility we own and operate, reducing disruption, uncertainty, and waste on site. The result: a better built structure that is more efficient, more durable, and more accessible. It's a win-win-win.



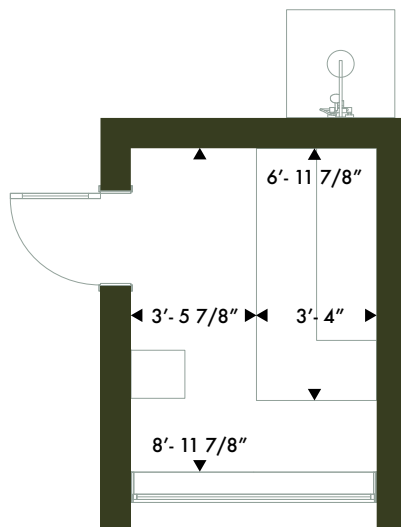
Sleeping Cabin

Designed to fit a generous queen-sized bed, our 1-level sleeping cabin puts a good night's sleep anywhere. Perfect for adding cozy sleeping accommodations to an existing property.



Work Sanctuary

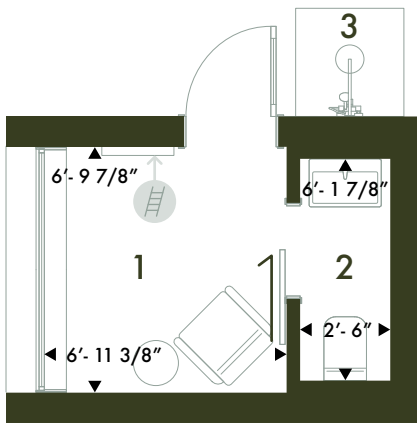
Every Ukkei is insulated with 5-1/2" of mineral wool—enough to keep out cold winters and noisy cities alike. Add a high-performance private office to your backyard, your cottage, or anywhere.



Complete Sauna

Put a standalone sauna anywhere. With a two-level bench, outdoor cold shower, and cedar interior, this Ukkei makes R&R easier (and more flexible) than ever.

Overall exterior dimensions are 8'-6" by 11'-6"



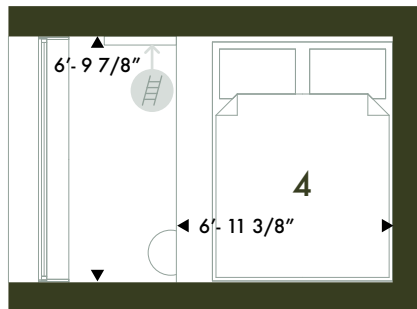
+Loft

Our most smallest Ukkei just got bigger. With an added loft level, this micro cabin smartly fits a washroom, shower, and queen-sized bed. It's the most portable home we've ever made, and the only one that doesn't need a permit.

Ground Floor

1. Living area
2. Washroom
3. Outdoor shower

←  = Ladder to ground



Loft Level

4. Queen-sized sleeping loft

←  = Ladder to ground

Overall exterior dimensions are 8'-6" by 11'-6"



Interior of 100 square foot cabin with loft.



100 square foot cabin configured as a work sanctuary.

Finish options.

cabin 100



Interior of 580 square foot cabin shown.
For illustrative purposes only.

ukkei means home

Light Palette

Our Light Palette features durable finishes that give Ukkei an airy, open feeling that reduces the sensation of separation between you and the environment.

- A Wide-plank, engineered hardwood flooring
- B Birch plywood finish on walls and ceilings
- C Dekko concrete panels
- D Cool grey quartz countertops with concrete texture
- E Gray painted kitchen cabinets
- F Black interior window frames
- G Chrome door hardware and plumbing fixtures

ukkei.ca

Finishes subject to change or substitution.

Finish options.

cabin 100

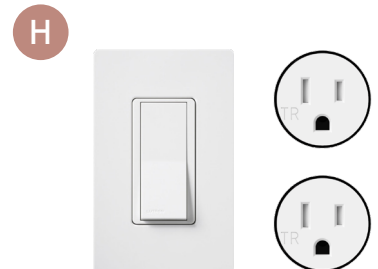


Interior of 580 square foot cabin shown.
For illustrative purposes only.

Light Palette Plus

The upgraded Light Palette adds premium fixtures, refined details, and generous wood finishes to enhance your experience of living in a Ukkei cabin.

- A Wide-plank, engineered hardwood flooring
- B Interior hemlock cladding with clear finish on walls and ceilings
- C Grey herringbone porcelain tile
- D Laminam Calce Tortora countertops
- E Wood veneer kitchen cabinets with clear finish
- F Black interior window frames
- G Matte black door hardware and plumbing fixtures
- H Flush mount switches and premium circular Bocci® wall outlets



Finishes subject to change or substitution.

ukkei means home

ukkei.ca

Finish options.

cabin 100



Interior of 580 square foot cabin shown.
For illustrative purposes only.

Dark Palette

Our Dark Palette features durable finishes that give Ukkei an intimate, warm feeling—like a private sanctuary in the woods.

- A Wide-plank, engineered hardwood flooring
- B Birch plywood finish on walls and ceilings
- C Dekko concrete panels
- D Earthy grey quartz countertops with fine stippled texture
- E Black satin painted kitchen cabinets
- F Black interior window frames
- G Chrome door hardware and plumbing fixtures

ukkei means home

ukkei.ca

Finishes subject to change or substitution.

Finish options.

cabin 100

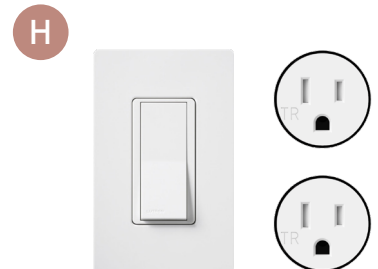


Interior of 580 square foot cabin shown.
For illustrative purposes only.

Dark Palette Plus

The upgraded Dark Palette adds premium fixtures, refined details, and generous wood finishes to enhance your experience of living in a Ukkei cabin.

- A Wide-plank, engineered hardwood flooring
- B Interior cedar cladding with stained finish on walls and ceilings
- C Grey herringbone porcelain tile
- D Laminam Calce Nero countertops
- E Wood veneer kitchen cabinets with stained finish
- F Black interior window frames
- G Matte black door hardware and plumbing fixtures
- H Flush mount switches and premium circular Bocci® wall outlets



Finishes subject to change or substitution.

ukkei means home

ukkei.ca



Ukkei

Contact us

info@ukkei.ca

Pricing starting at 45,000 or 60,000 with loft†

†Pricing excludes site servicing, foundation, shipping, and installation which varies by individual site conditions. 'Plus' finish options additional. Contact us for more information.

Ukkei homes is a collaboration between VFA Architecture + Design and Hummingbird Hill Homes.

ukkei.ca

vf-a.com

hummingbirdhillhomes.com

